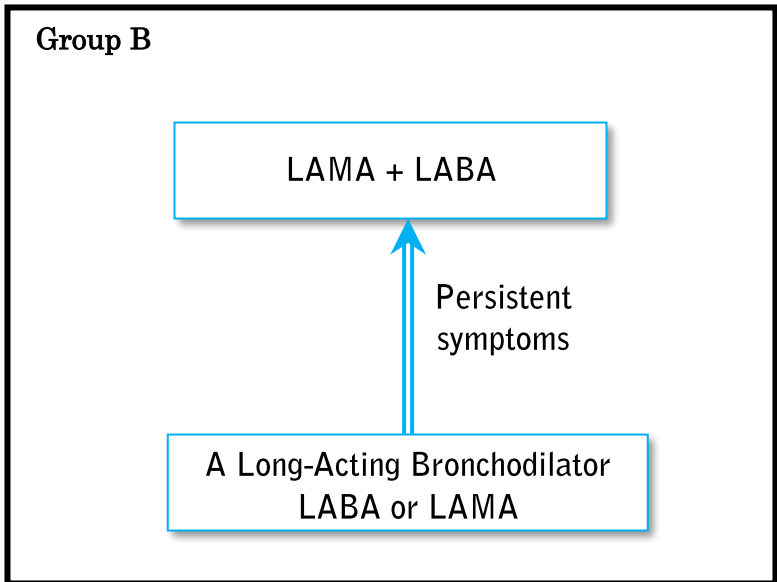
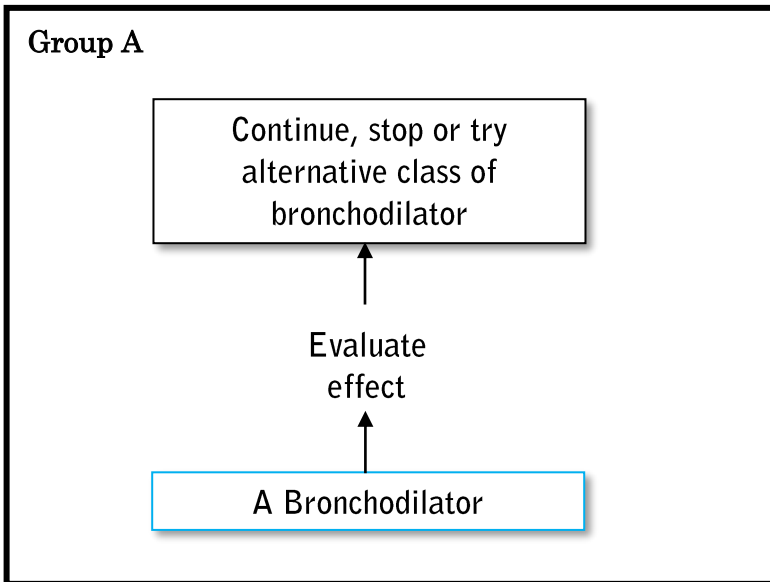
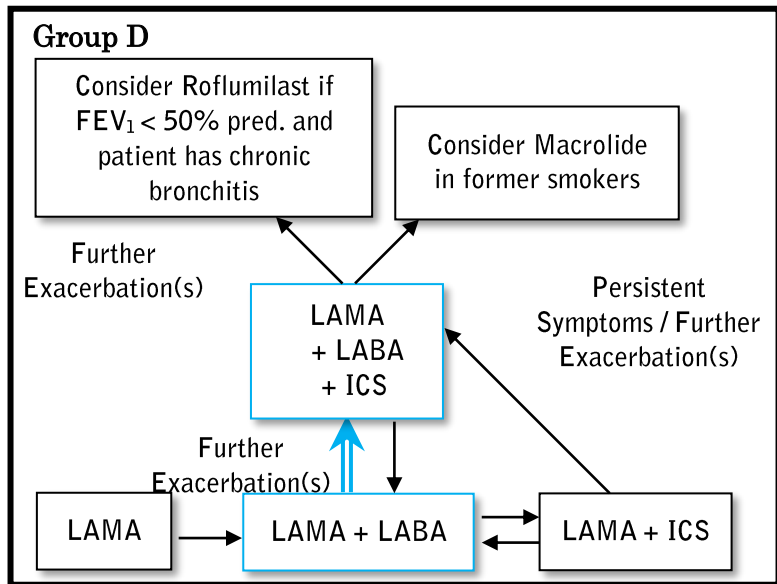
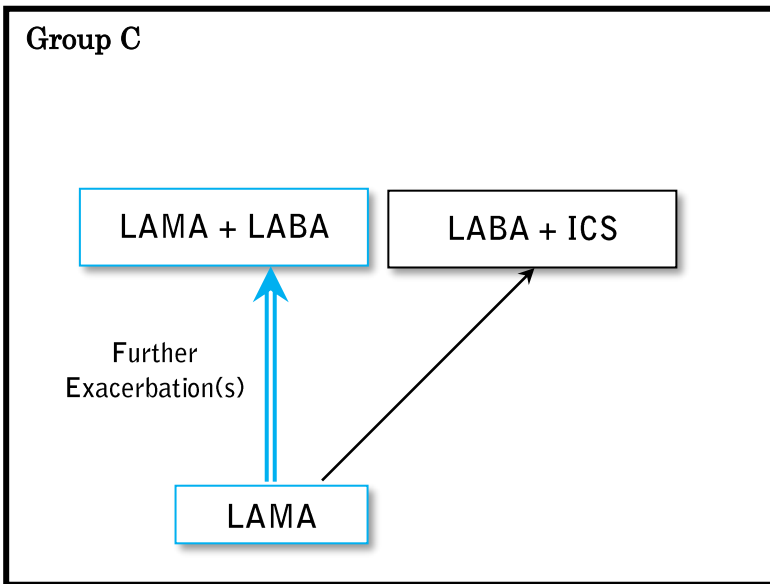


Pharmacologic Treatment Algorithms by GOLD Grade

Exacerbation History

≥ 2
Or
≥ 1 Leading to Hospital admission

0 or 1
(not leading to hospital admission)



mMRC 0 – 1
CAT < 10

mMRC ≥ 2
CAT ≥ 10

SYMPTOMS

Highlighted arrows & boxes equals preferred treatment pathways

In patients with a major discrepancy between the perceived level of symptoms and severity of airflow limitation, further evaluation is warranted.